



Kirk Sandall Industrial Estate, Doncaster, South  
Yorkshire, DN3 1QR

+44 (0)1302 310 113  
enquiries@prosolveproducts.com  
www. prosolveproducts.com

ProSolve is trademark of S.T.L Trading Company  
Limited  
Reg in England No: 5230722  
VAT Reg No: 381 3533 58

## DATASHEET

### ProSolve Twinslot



The ProSolve Twinslot 'Shelf-Lok' system combines adjustability with strength and versatility. The system comprises a wall fixed twinslot steel upright to take a range of steel 'U' brackets for supporting various types of shelves. Medium and heavy-duty brackets are also available for supporting heavier loads. The components are fabricated from 1.5mm thick steel and finished in Dupont Alesta AM™ anti—microbial powder coating. White, brown, black, chrome, silver and stainless steel finishes are available.

### ProSolve Twinslot Terminology

**Twinslot** – wall mounted shelving that are fitted vertically, they have a series of twin slots and fixing holes in the front that allow for the 'uprights' to be attached to the wall then accept a range of accessories for the purpose of display or storage.

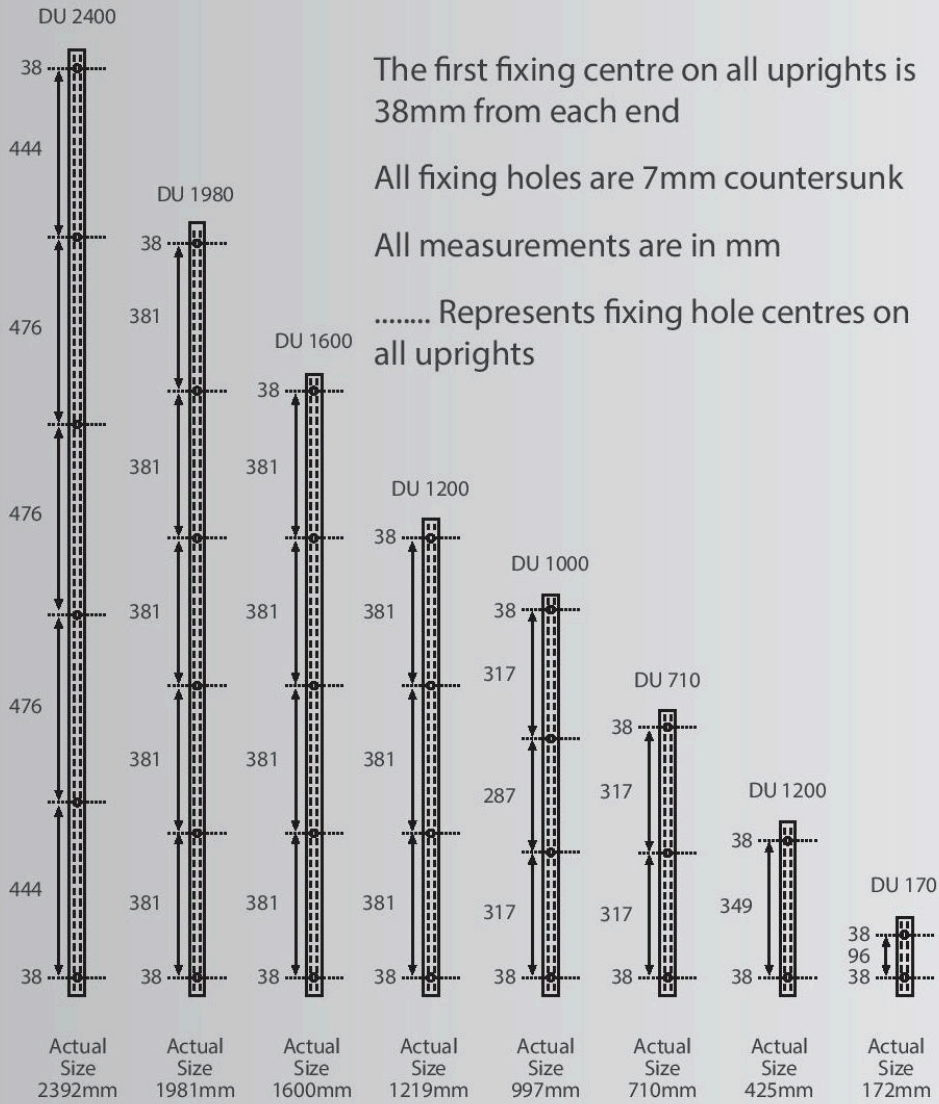
**Shelf-Lok** – a unique locking system that allows the bracket to become automatically locked into the upright when installed correctly, this locking system stops the bracket from been accidentally knocked out of the twinslots.

**Upright pitch** – the distance between the top of one twinslot and the next one.

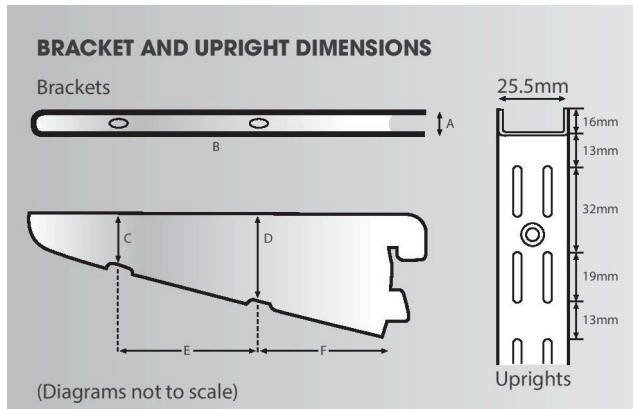
**Dupont Alesta AM™** - a patented powder coating, treated with silver ion or silver zeolite technology that is known to inhibit the growth of microbes on powder coated steel.

# ProSolve Twinslot Uprights Fixing Details

## FIXING DETAILS FOR ALL TWIN SLOT UPRIGHTS



# ProSolve Twinslot Brackets Fixing Details



<b>STANDARD BRACKETS (WHITE)</b>	<b>Code</b>	<b>A</b>	<b>B</b>	<b>C</b>	<b>D</b>	<b>E</b>	<b>F</b>	<b>Load</b>
Actual dimensions in mm	SDB120BC	12.5	110	18	39	60	32	15kg
	SDB170BC	12.5	165	18	39	97	46	108kg
	SDB220BC	12.5	215	18	39	131	61	84kg
	SDB270BC	12.5	268	18	39	167	76	69kg
	SDB320BC	12.5	317	18	39	203	92	60kg
	SDB370BC	12.5	366	18	39	227	117	57kg
	SDB420BC	12.5	420	18	39	330	280	84kg
	SDB470BC	12.5	470	18	39	160	298	80kg
	SDB570BC	12.5	570	18	39	168	372	78kg
	SDB610BC	12.5	608	18	39	218	378	74kg

<b>STANDARD BRACKETS (BROWN)</b>	<b>Code</b>	<b>A</b>	<b>B</b>	<b>C</b>	<b>D</b>	<b>E</b>	<b>F</b>	<b>Load</b>
Actual dimensions in mm	DB120B	12.5	110	18	39	60	32	15kg
	DB170B	12.5	165	18	39	97	46	108kg
	DB220B	12.5	215	18	39	131	61	84kg
	DB270B	12.5	268	18	39	167	76	69kg
	DB320B	12.5	317	18	39	203	92	60kg
	DB370B	12.5	366	18	39	227	117	57kg
	DB470B	12.5	470	18	39	160	298	80kg
	DB610B	12.5	608	18	39	218	378	74kg

<b>STANDARD BRACKETS (BLACK)</b>	<b>Code</b>	<b>A</b>	<b>B</b>	<b>C</b>	<b>D</b>	<b>E</b>	<b>F</b>	<b>Load</b>
Actual dimensions in mm	DB120BLA	12.5	110	18	39	60	32	15kg
	DB170BLA	12.5	165	18	39	97	46	108kg
	DB220BLA	12.5	215	18	39	131	61	84kg
	DB270BLA	12.5	268	18	39	167	76	69kg
	DB320BLA	12.5	317	18	39	203	92	60kg
	DB370BLA	12.5	366	18	39	227	117	57kg
	DB470BLA	12.5	470	18	39	160	298	80kg
	DB610BLA	12.5	608	18	39	218	378	74kg

<b>STANDARD BRACKETS (SILVER)</b>	<b>Code</b>	<b>A</b>	<b>B</b>	<b>C</b>	<b>D</b>	<b>E</b>	<b>F</b>	<b>Load</b>
Actual dimensions in mm	DB120S	12.5	110	18	39	60	32	15kg
	DB170S	12.5	165	18	39	97	46	108kg
	DB220S	12.5	215	18	39	131	61	84kg
	DB270S	12.5	268	18	39	167	76	69kg
	DB320S	12.5	317	18	39	203	92	60kg
	DB370S	12.5	366	18	39	227	117	57kg
	DB470S	12.5	470	18	39	160	298	80kg
	DB570S	12.5	570	18	39	168	372	78kg
	DB610S	12.5	608	18	39	218	378	74kg

<b>STANDARD BRACKETS (STAINLESS STEEL)</b>	<b>Code</b>	<b>A</b>	<b>B</b>	<b>C</b>	<b>D</b>	<b>E</b>	<b>F</b>	<b>Load</b>
Actual dimensions in mm	DB220S	12.5	215	18	39	131	61	84kg
	DB270S	12.5	268	18	39	167	76	69kg
	DB320S	12.5	317	18	39	203	92	60kg
	DB370S	12.5	366	18	39	227	117	57kg
	DB470S	12.5	470	18	39	160	298	80kg

<b>STANDARD BRACKETS (CHROME)</b>	<b>Code</b>	<b>A</b>	<b>B</b>	<b>C</b>	<b>D</b>	<b>E</b>	<b>F</b>	<b>Load</b>
Actual dimensions in mm	DB120S	12.5	110	18	39	60	32	15kg
	DB170S	12.5	165	18	39	97	46	108kg
	DB220S	12.5	215	18	39	131	61	84kg
	DB270S	12.5	268	18	39	167	76	69kg
	DB320S	12.5	317	18	39	203	92	60kg
	DB370S	12.5	366	18	39	227	117	57kg
	DB470S	12.5	470	18	39	160	298	80kg

<b>MEDIUM DUTY BRACKETS</b>	<b>Code</b>	<b>A</b>	<b>B</b>	<b>C</b>	<b>D</b>	<b>E</b>	<b>F</b>	<b>Load</b>
Actual dimensions in mm	DMDB370BC	13.5	370	18	39	122	234	76kg

<b>HEAVY DUTY BRACKETS</b>	<b>Code</b>	<b>A</b>	<b>B</b>	<b>C</b>	<b>D</b>	<b>E</b>	<b>F</b>
Actual dimensions in mm	DHB370	13.5	370	18	39	122	234
	DHB470	13.5	470	18	39	160	298
	DHB610	13.5	610	18	39	218	378

## ProSolve Twinslot Upright Fixing Details

We recommend that 3" No.10 screws are used with the relevant wall plugs. We also recommend that individuals should consult a suitably qualified person to ensure that the uprights are installed correctly.

**Fixing Pack Code:** UFP

Recommended centres for uprights is 500-600mm.

A shelf overhand of approximately 150mm should be left at each end. The type and thickness of shelf material and the application must be considered before fixing the system.

Before drilling, hammering or putting a screw into a wall, be sure you've checked what's behind it with a pipe, cable and stud detector (also known as a multi-purpose digital detector). They're simple to use and will let you

know if there are any pipes, cables or studs where you're planning to work. Simply run it over the surface of the area and it will tell you where hazards lie.

On masonry walls – walls made from bricks and mortar - you'll need a hammer-action drill with a masonry bit. You'll also need at least 50 mm screws and wall plugs to go through the plaster and into the wall behind.

For stud partition walls, the screws need to go directly into the timber noggins (horizontal) or studs (vertical part of the frame). You can find them by just tapping and listening, or by using an electric stud detector.

For heavy loads we'd recommend 38 mm or 50 mm screws as these have a strong fixing and don't need wall plugs. The screws should be the heaviest gauge that the holes in the bracket will take. This is usually a 4 mm gauge on small brackets and 5 mm or 5.5 mm on larger ones.

Code	Description	Recommended Weight Loadings
DMDB370BC	370mm Medium Duty Twin Slot Shelf Bracket	76kg

Code	Description	Recommended Weight Loadings
DHB370	370mm Heavy Duty Twin Slot Shelf Bracket	114kg
DHB470	470mm Heavy Duty Twin Slot Shelf Bracket	103kg
DHB610	610mm Heavy Duty Twin Slot Shelf Bracket	97kg

Note: To calculate the weight loading in Newtons, multiply the kg load by a factor of 9.81

### ProSolve Twinslot Brackets – Steel Grade

ProSolve Stainless Shelf Brackets and Upright Stainless Steel Grade 202

### ProSolve Twinslot Brackets – Steel Thickness

ProSolve Stainless Shelf Brackets and Uprights are fabricated from 1.5mm thick steel.

### ProSolve Twin Slot Uprights

Code	Colour	Length	Steel Thickness
DU170BC	White	170mm	1.5mm
DU430BC	White	430mm	1.5mm
DU710BC	White	710mm	1.5mm
DU1000BC	White	1000mm	1.5mm
DU1220BC	White	1220mm	1.5mm
DU1600BC	White	1600mm	1.5mm
DU1980BC	White	1980mm	1.5mm
DU2400BC	White	2400mm	1.5mm

Code	Colour	Length	Steel Thickness
DU430B	Brown	430mm	1.5mm
DU710B	Brown	710mm	1.5mm
DU1000B	Brown	1000mm	1.5mm

DU1220B	Brown	1220mm	1.5mm
DU1600B	Brown	1600mm	1.5mm
DU1980B	Brown	1980mm	1.5mm
DU2400B	Brown	2400mm	1.5mm

Code	Colour	Length	Steel Thickness
DU430BLA	Black	430mm	1.5mm
DU710BLA	Black	710mm	1.5mm
DU1000BLA	Black	1000mm	1.5mm
DU1220BLA	Black	1220mm	1.5mm
DU1600BLA	Black	1600mm	1.5mm
DU1980BLA	Black	1980mm	1.5mm
DU2400BLA	Black	2400mm	1.5mm

Code	Colour	Length	Steel Thickness
DU430S	Silver	430mm	1.5mm
DU710S	Silver	710mm	1.5mm
DU1000S	Silver	1000mm	1.5mm
DU1220S	Silver	1220mm	1.5mm
DU1600S	Silver	1600mm	1.5mm
DU1980S	Silver	1980mm	1.5mm
DU2400S	Silver	2400mm	1.5mm

Code	Colour	Length	Steel Thickness
DU1000SS	Stainless Steel	1000mm	1.5mm
DU1980SS	Stainless Steel	1980mm	1.5mm

Code	Colour	Length	Steel Thickness
DU430CH	Chrome	430mm	1.5mm
DU710CH	Chrome	710mm	1.5mm
DU1000CH	Chrome	1000mm	1.5mm
DU1220CH	Chrome	1220mm	1.5mm
DU1600CH	Chrome	1600mm	1.5mm
DU1980CH	Chrome	1980mm	1.5mm
DU2400CH	Chrome	2400mm	1.5mm

## SHELVING CARE ADVICE

The ProSolve Twinslot system already has an antibacterial coating which is specifically designed to ensure that bacteria cannot reside on the surface, the system should just need a wipe with a damp cloth when required. Do not use any strong detergents or abrasive cleaners.